



WLC 6/A2/C/2/10 Precision Balance, WLC 1/A2/C/2/10 Precision Balance, WLC 2/A2/C/2/10 Precision Balance, WLC 1/A2/C/2 Precision Balance, WLC 2/A2/C/2 Precision Balance, WLC 6/A2/C/2 Precision Balance, WLC 0.6/A1/C/2 Precision Balance, WLC 0.6/A1/C/2/10 Precision Balance

More information on the website
radwag.com/en/info,w1,ZYK



WLC 6/A2/C/2/10 Precision Balance
WLC 6/A2/C/2 Precision Balance



WLC 1/A2/C/2/10 Precision Balance
WLC 2/A2/C/2/10 Precision Balance
WLC 1/A2/C/2 Precision Balance
WLC 2/A2/C/2 Precision Balance



WLC 0.6/A1/C/2 Precision Balance
WLC 0.6/A1/C/2/10 Precision Balance

The drawings, photos and graphics used are for illustrative purposes only.

Functions



Plus/Minus Control



Percent Weighing



Totalizing



Parts counting



Internal battery



Peak hold



Newton unit
measurement

Datasheet

	WLC 0.6/A1/C/2/10 Precision Balance	WLC 0.6/A1/C/2 Precision Balance	WLC 1/A2/C/2 Precision Balance
Metrological parameters			
Maximum capacity [Max]	0,6 kg	0,6 kg	1 kg
Minimum load	0,5 g	0,5 g	–
Readability [d]	0,01 g	0,01 g	0,01 g
Verification unit [e]	0,1 g	0,1 g	-
Tare range	-0,6 kg	-0,6 kg	-1 kg
Repeatability	0,015 g	0,015 g	0,015 g
Linearity	±0,02 g	±0,02 g	±0,03 g
Stabilization time	3 s	3 s	3 s
Adjustment	internal (automatic)	internal (automatic)	internal (automatic)
OIML Class	II	II	–
Physical parameters			
Leveling system	manual	manual	manual
Display	LCD (backlit)	LCD (backlit)	LCD (backlit)
Weighing pan dimensions	128×128 mm	128×128 mm	195×195 mm
Packaging dimensions	430×270×190 mm	430×270×190 mm	430×270×190 mm
Net weight	3,6 kg	3,6 kg	3,31 kg
Gross weight	4,5 kg	3,5 kg	4 kg
Construction			
Protection class	IP 43	IP 43	IP 43
Communication interface			
Communication interface	2×RS232, USB-A, USB-B, 4 IN / 4 OUT	2×RS232, USB-A, USB-B	2×RS232, USB-A, USB-B
Electrical parameters			
Power supply	Adapter: 100 – 240V AC 50/60Hz 0,6A; 12V DC 1,2A Balance: 10 – 15VDC 0,6A max	Adapter: 100 – 240V AC 50/60Hz 0,6A; 12V DC 1,2A Balance: 10 – 15VDC 0,6A max	Adapter: 100 – 240V AC 50/60Hz 0,6A; 12V DC 1,2A Balance: 10 – 15VDC 0,6A max
Operation time on batteries	15 h (average time)	15 h (average time)	15 h (average time)
Environmental conditions			
Operating temperature	+15 ÷ +30 °C	+15 ÷ +30 °C	+15 ÷ +30 °C
Relative humidity	10% ÷ 85% RH no condensation	10% ÷ 85% RH no condensation	10% ÷ 85% RH no condensation

Repeatability is expressed as a standard deviation from 10 weighing cycles. Stabilization time depends on the ambient conditions and the dynamics of weighing pan loading; specified for FAST profile.

Datasheet

	WLC 1/A2/C/2/IO Precision Balance	WLC 2/A2/C/2 Precision Balance	WLC 2/A2/C/2/IO Precision Balance
Metrological parameters			
Maximum capacity [Max]	1 kg	2 kg	2 kg
Minimum load	—	—	—
Readability [d]	0,01 g	0,01 g	0,01 g
Verification unit [e]	-	-	-
Tare range	-1 kg	-2 kg	-2 kg
Repeatability	0,015 g	0,015 g	0,015 g
Linearity	±0,03 g	±0,03 g	±0,03 g
Stabilization time	3 s	3 s	3 s
Adjustment	internal (automatic)	internal (automatic)	internal (automatic)
OIML Class	—	—	—
Physical parameters			
Leveling system	manual	manual	manual
Display	LCD (backlit)	LCD (backlit)	LCD (backlit)
Weighing pan dimensions	195×195 mm	195×195 mm	195×195 mm
Packaging dimensions	430×270×190 mm	430×270×190 mm	430×270×190 mm
Net weight	3,6 kg	3,29 kg	3,6 kg
Gross weight	5 kg	4,5 kg	5 kg
Construction			
Protection class	IP 43	IP 43	IP 43
Communication interface			
Communication interface	2×RS232, USB-A, USB-B, 4 IN / 4 OUT	2×RS232, USB-A, USB-B	2×RS232, USB-A, USB-B, 4 IN / 4 OUT
Electrical parameters			
Power supply	Adapter: 100 – 240V AC 50/60Hz 0,6A; 12V DC 1,2A Balance: 10 – 15VDC 0,6A max	Adapter: 100 – 240V AC 50/60Hz 0,6A; 12V DC 1,2A Balance: 10 – 15VDC 0,6A max	Adapter: 100 – 240V AC 50/60Hz 0,6A; 12V DC 1,2A Balance: 10 – 15VDC 0,6A max
Operation time on batteries	15 h (average time)	15 h (average time)	15 h (average time)
Environmental conditions			
Operating temperature	+15 ÷ +30 °C	+15 ÷ +30 °C	+15 ÷ +30 °C
Relative humidity	10% ÷ 85% RH no condensation	10% ÷ 85% RH no condensation	10% ÷ 85% RH no condensation

Repeatability is expressed as a standard deviation from 10 weighing cycles. Stabilization time depends on the ambient conditions and the dynamics of weighing pan loading; specified for FAST profile.

Datasheet

	WLC 6/A2/C/2 Precision Balance	WLC 6/A2/C/2/10 Precision Balance
Metrological parameters		
Maximum capacity [Max]	6 kg	6 kg
Minimum load	5 g	5 g
Readability [d]	0,1 g	0,1 g
Verification unit [e]	1 g	1 g
Tare range	-6 kg	-6 kg
Repeatability	0,15 g	0,15 g
Linearity	±0,2 g	±0,2 g
Stabilization time	3 s	3 s
Adjustment	internal (automatic)	internal (automatic)
OIML Class	II	II
Physical parameters		
Leveling system	manual	manual
Display	LCD (backlit)	LCD (backlit)
Weighing pan dimensions	195×195 mm	195×195 mm
Packaging dimensions	430×270×190 mm	430×270×190 mm
Net weight	3,6 kg	3,6 kg
Gross weight	4 kg	5 kg
Construction		
Protection class	IP 43	IP 43
Communication interface		
Communication interface	2×RS232, USB-A, USB-B	2×RS232, USB-A, USB-B, 4 IN / 4 OUT
Electrical parameters		
Power supply	Adapter: 100 – 240V AC 50/60Hz 0,6A; 12V DC 1,2A Balance: 10 – 15VDC 0,6A max	Adapter: 100 – 240V AC 50/60Hz 0,6A; 12V DC 1,2A Balance: 10 – 15VDC 0,6A max
Operation time on batteries	15 h (average time)	15 h (average time)
Environmental conditions		
Operating temperature	+15 ÷ +30 °C	+15 ÷ +30 °C
Relative humidity	10% ÷ 85% RH no condensation	10% ÷ 85% RH no condensation

Repeatability is expressed as a standard deviation from 10 weighing cycles. Stabilization time depends on the ambient conditions and the dynamics of weighing pan loading; specified for FAST profile.



Extra payment for verification



Accessories

Balance Storage Case
 Antivibration Tables
 Power Adapters
 RS 232 cables (scale - printer)
 Cigarette lighter receptacle power supply cables
 Under-pan weighing
 RS 232, RS 485 cables
 Density determination KIT
 Draft Shield

RS 232 – Ethernet Converter
 Displays
 Receipt Printer
 AP2-1 Current Loop Unit
 Protective cover for balances
 RS 232, RS 485 cables
 RS 232 cables (scale - printer)
 RS 232 – RS 485 Converter

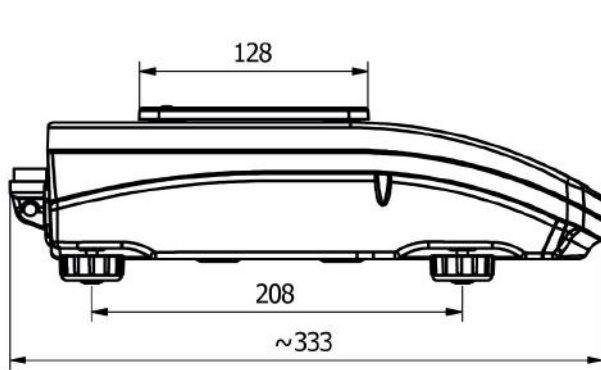
Software

RAD-KEY
R-LAB

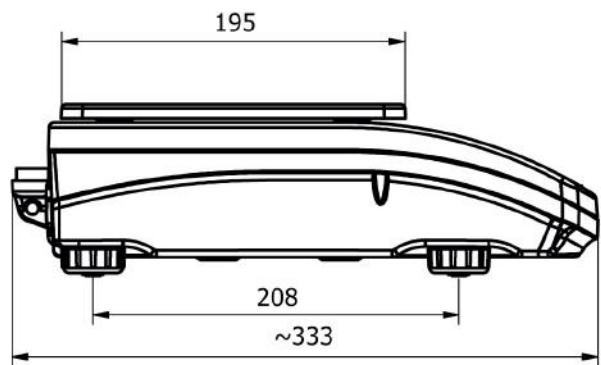
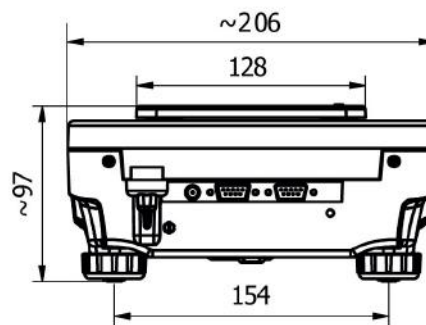
Alibi Reader
Scales Editor 2.1

Device dimensions

WLC 6/A2/C/2/10 Precision Balance, WLC 1/A2/C/2/10 Precision Balance, WLC 2/A2/C/2/10 Precision Balance, WLC 1/A2/C/2 Precision Balance, WLC 2/A2/C/2 Precision Balance, WLC 6/A2/C/2 Precision Balance, WLC 0.6/A1/C/2 Precision Balance, WLC 0.6/A1/C/2/10 Precision Balance



WLC A1



WLC A2

