















More information on the website  
[radwag.com/en/info,w1,W6Y](http://radwag.com/en/info,w1,W6Y)

# PS 360.R2 Precision Balance



The drawings, photos and graphics used are for illustrative purposes only.

## Functions

-  Autotest
-  Dosing
-  Percent Weighing
-  Totalizing
-  Parts counting
-  Peak hold
-  Newton unit measurement
-  Statistics
-  Checkweighing
-  GLP Procedures
-  Animal weighing
-  Density determination

## Datasheet

Metrological parameters	
Maximum capacity [Max]	360 g
Minimum load	20 mg
Readability [d]	1 mg
Verification unit [e]	10 mg
Tare range	-360 g
Standard repeatability [5% Max]	0.5 mg
Standard repeatability [Max]	1 mg

<b>Metrological parameters</b>	
Standard minimum weight (USP)	1 g
Standard minimum weight (U=1%, k=2)	0.1 g
Linearity	±2 mg
Stabilization time	2 s
Adjustment	internal (automatic)
OIML Class	II
Sensitivity temperature drift	$2 \times 10^{-6} / ^\circ\text{C} \times \text{Rt}$
<b>Physical parameters</b>	
Leveling system	manual
Display	LCD (backlit)
Delivery components	Balance, weighing pan, weighing pan shield, grounding bumper x1, bumper x3, power supply.
Weighing pan dimensions	128x128 mm
Packaging dimensions	475x380x345 mm
Net weight	3.7 kg
Gross weight	5 kg
<b>Construction</b>	
Protection class	IP 43
<b>Communication interface</b>	
Communication interface	2xRS232 <sup>1</sup> , USB-A, USB-B, Wi-Fi (option)
<b>Electrical parameters</b>	
Power supply	Adapter: 100 – 240V AC 50/60Hz 0.6A; 12V DC 1.2A Balance: 12 – 15V DC 0.4A max
Power consumption	4 W
<b>Environmental conditions</b>	
Operating temperature	+10 ÷ +40 °C
Relative humidity	40% ÷ 80%

Repeatability is expressed as a standard deviation from 10 weighing cycles.

Stabilization time depends on the ambient conditions and the dynamics of weighing pan loading; specified for FAST profile.

<sup>1</sup> Barcode scanners, available as weighing instrument accessory, communicate with the instrument via RS232 interface exclusively.

\* Wi-Fi® is a registered trademark of Wi-Fi® Alliance.



Extra payment for verification



## Accessories

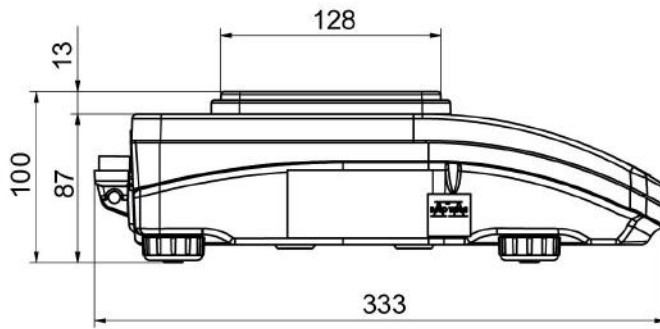
Balance Storage Case  
Antivibration Tables  
Power Adapters  
Cigarette lighter receptacle power supply cables  
USB cable (scale - printer)  
Density determination KIT  
Barcode scanners

RS 232, RS 485 cables  
Displays  
Draft Shield  
Receipt Printer  
Protective cover for balances  
RS 232, RS 485 cables  
Under-pan weighing

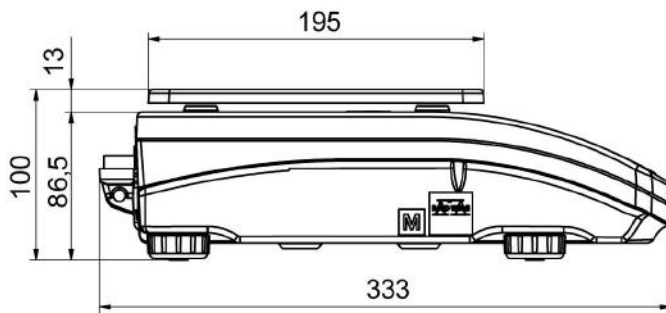
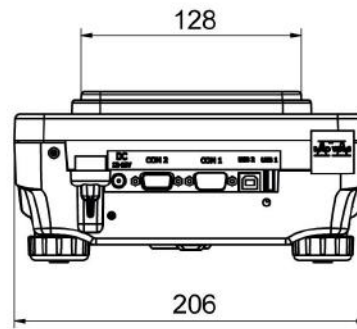
## Software

- RAD Key [WX-010-0005]
- Alibi Reader [WX-010-0114]
- RADWAG Development Studio [WX-010-0104]
- R-Panel [WX-010-0187]
- R-Lab [WX-010-0080]

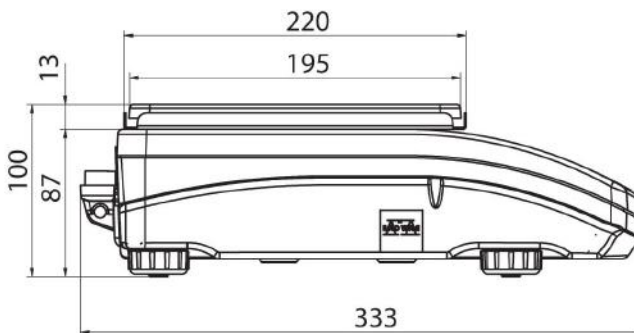
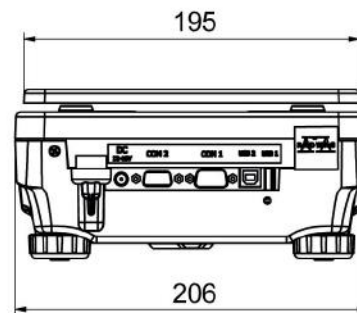
## Device dimensions



PS R, d = 1mg



PS R, d = 10 mg



PS R.M, d = 10 mg

