



More information on the website
radwag.com/en/info,w1,EVT

PS 3500.R1.M Precision Balance



The drawings, photos and graphics used are for illustrative purposes only.

Functions



Autotest



Dosing



Percent Weighing



Totalizing



Parts counting



Peak hold



Newton unit measurement



Statistics



Checkweighing



GLP Procedures



Animal weighing



Density determination

Datasheet

Metrological parameters	
Maximum capacity [Max]	3500 g
Minimum load	500 mg
Readability [d]	0.01 g
Tare range	-3500 g
Repeatability (Max)	0.008 g
Repeatability (5% Max)	0.005 g
Linearity	±0.02 g

Metrological parameters	
Stabilization time	1.5 s
Adjustment	external
Sensitivity temperature drift	$2 \times 10^{-6} / ^\circ\text{C} \times \text{Rt}$
Physical parameters	
Leveling system	manual
Display	LCD (backlit)
Delivery components	Balance, weighing pan, weighing pan shield, power supply
Weighing pan dimensions	195×195 mm
Packaging dimensions	475×380×345 mm
Net weight	3.6 kg
Gross weight	5.1 kg
Construction	
Protection class	IP 43
Communication interface	
Communication interface	2×RS232 ¹ , USB-A, USB-B, Wi-Fi (option)
Electrical parameters	
Power supply	Adapter: 100 – 240V AC 50/60Hz 0.6A; 12V DC 1.2A Balance: 12 – 15V DC 0.4A max
Power consumption	4 W
Environmental conditions	
Operating temperature	+10 ÷ +40 °C
Relative humidity	40% ÷ 80%

Repeatability is expressed as a standard deviation from 10 weighing cycles.

Stabilization time depends on the ambient conditions and the dynamics of weighing pan loading; specified for FAST profile.

¹ Barcode scanners, available as weighing instrument accessory, communicate with the instrument via RS232 interface exclusively.

* Wi-Fi® is a registered trademark of Wi-Fi® Alliance.



Accessories

Balance Storage Case
 Antivibration Tables
 Power Adapters
 Cigarette lighter receptacle power supply cables
 USB cable (scale - printer)
 Barcode scanners
 RS 232, RS 485 cables

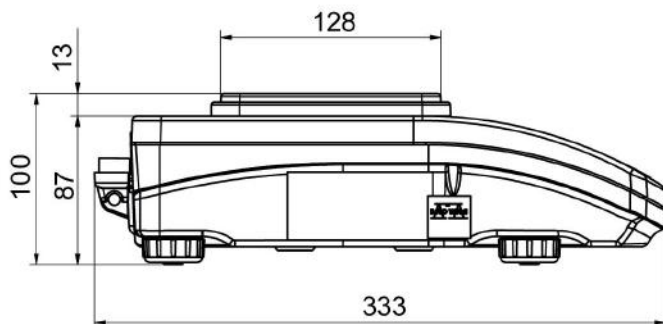
Displays
 Density determination KIT
 Receipt Printer
 RS 232, RS 485 cables
 Protective cover for balances
 Under-pan weighing
 RS 232 cables (scale - printer)

Software

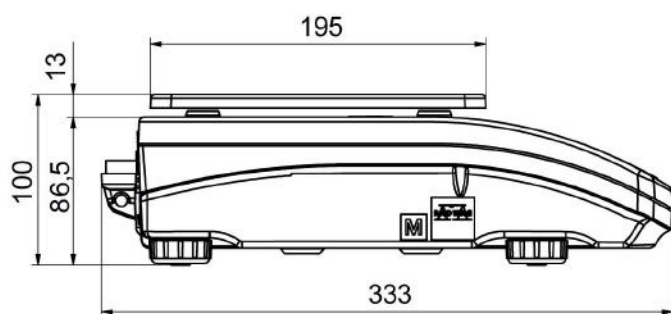
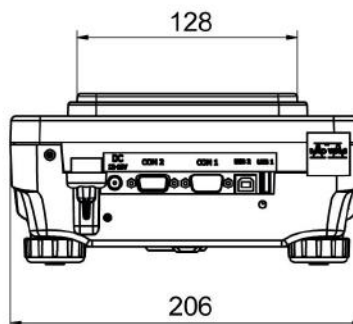
- RAD Key [WX-010-0005]
- Alibi Reader [WX-010-0114]
- RADWAG Development Studio [WX-010-0104]

- R-Panel [WX-010-0187]
- R-Lab [WX-010-0080]

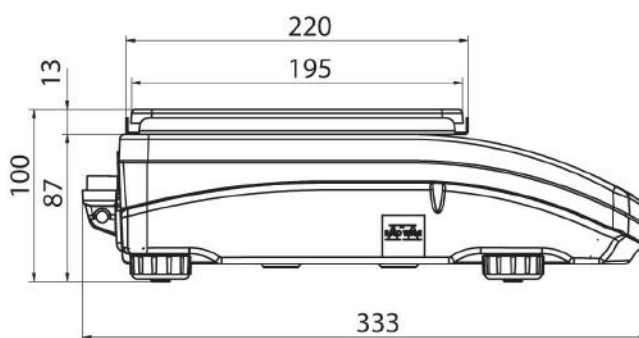
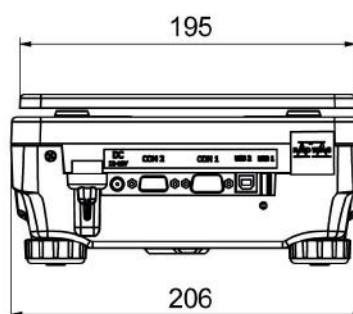
Device dimensions



PS R, d = 1mg



PS R, d = 10 mg



PS R.M, d = 10 mg

