



More information on the website
radwag.com/en/info,w1,TUN

PS 200/2000.R1 Precision Balance



The drawings, photos and graphics used are for illustrative purposes only.

Functions



Autotest



Dosing



Percent Weighing



Totalizing



Parts counting



Peak hold



Newton unit measurement



Statistics



Checkweighing



GLP Procedures



Animal weighing



Density determination

Datasheet

Metrological parameters	
Maximum capacity [Max]	200 / 2000 g
Minimum load	20 mg
Readability [d]	0.001 / 0.01 g
Tare range	-2000 g
Repeatability (Max)	0.001 / 0.01 g
Repeatability (5% Max)	0.0005 / 0.005 g
Linearity	±0.002 / 0.02 g

Metrological parameters	
Stabilization time	2 / 1.5 s
Adjustment	external
Sensitivity temperature drift	$2 \times 10^{-6} / ^\circ\text{C} \times \text{Rt}$
Physical parameters	
Leveling system	manual
Display	LCD (backlit)
Delivery components	Balance, weighing pan, weighing pan shield, grounding bumper $\times 1$, bumper $\times 3$, power supply.
Weighing pan dimensions	128 \times 128 mm
Packaging dimensions	475 \times 380 \times 345 mm
Net weight	3.2 kg
Gross weight	5.5 kg
Construction	
Protection class	IP 43
Communication interface	
Communication interface	2 \times RS232 ¹ , USB-A, USB-B, Wi-Fi (option)
Electrical parameters	
Power supply	Adapter: 100 – 240V AC 50/60Hz 0.6A; 12V DC 1.2A Balance: 12 – 15V DC 0.4A max
Power consumption	4 W
Environmental conditions	
Operating temperature	+10 \div +40 $^\circ\text{C}$
Relative humidity	40% \div 80%

Repeatability is expressed as a standard deviation from 10 weighing cycles.

Stabilization time depends on the ambient conditions and the dynamics of weighing pan loading; specified for FAST profile.

¹ Barcode scanners, available as weighing instrument accessory, communicate with the instrument via RS232 interface exclusively.

* Wi-Fi® is a registered trademark of Wi-Fi® Alliance.



Accessories

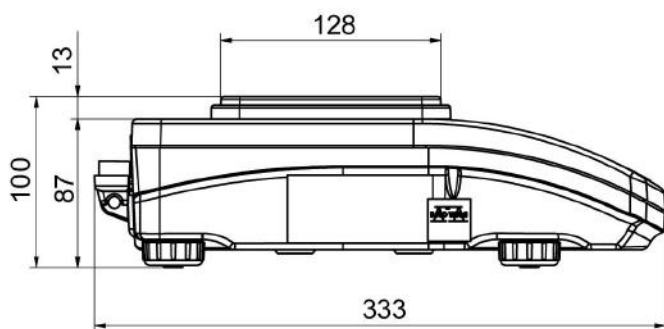
Balance Storage Case	RS 232, RS 485 cables
Antivibration Tables	Displays
Power Adapters	Draft Shield
Cigarette lighter receptacle power supply cables	Receipt Printer
USB cable (scale - printer)	Protective cover for balances
Density determination KIT	RS 232, RS 485 cables
Barcode scanners	Under-pan weighing
Anti-Draft Chamber for Balances with a 128 \times 128 mm Weighing Pan	RS 232 cables (scale - printer)

Software

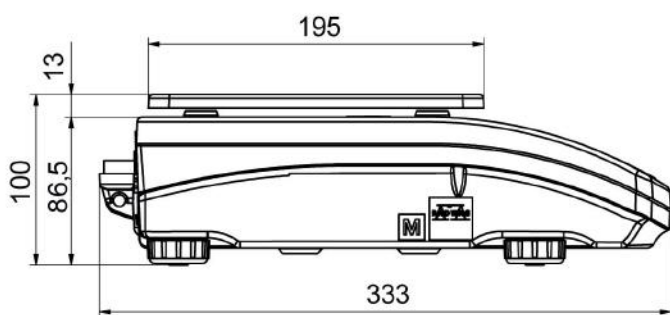
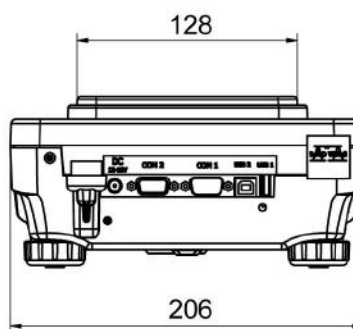
• RAD Key [WX-010-0005]

• R-Panel [WX-010-0187]

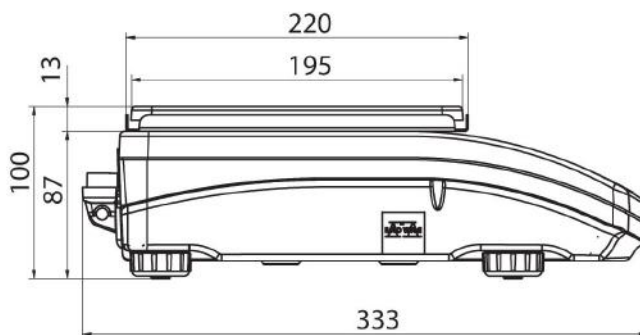
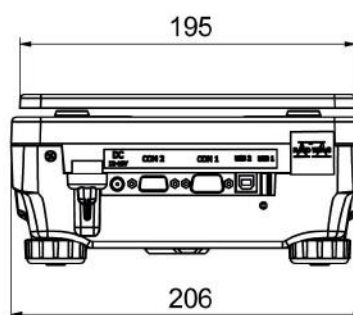
Device dimensions



PS R, d = 1mg



PS R, d = 10 mg



PS R.M, d = 10 mg

