



More information on the website  
[radwag.com/en/info,w1,FV9](http://radwag.com/en/info,w1,FV9)

# PS 600.R2 Precision Balance



The drawings, photos and graphics used are for illustrative purposes only.

## Functions



Autotest



Dosing



Percent Weighing



Totalizing



Parts counting



Peak hold



Newton unit measurement



Statistics



Checkweighing



GLP Procedures



Animal weighing



Density determination

## Datasheet

Metrological parameters	
Maximum capacity [Max]	600 g
Minimum load	20 mg
Readability [d]	0,001 g
Verification scale interval [e]	0,01 g
Tare range	-600 g
Repeatability (Max)	0,0015 g
Repeatability (5% Max)	0,0005 g

Metrological parameters	
Linearity	±0,003 g
Stabilization time	2 s
Adjustment	internal (automatic)
OIML Class	II
Physical parameters	
Leveling system	manual
Display	LCD (backlit)
Protection class	IP 43
Delivery components	Balance, weighing pan, weighing pan shield, grounding bumper ×1, bumper ×3, power supply.
Weighing pan dimensions	128×128 mm
Packaging dimensions	465×370×290 mm
Net weight	3,9 kg
Gross weight	5 kg
Communication interface	
Communication interface	2×RS232 <sup>1</sup> , USB-A, USB-B, Wi-Fi (option)
Electrical parameters	
Power supply	Adapter: 100 – 240V AC 50/60Hz 0,6A; 12V DC 1,2A Balance: 12 – 15V DC 0,4A max
Power consumption	4 W
Environmental conditions	
Operating temperature	+10 ÷ +40 °C

Repeatability is expressed as a standard deviation from 10 weighing cycles. Stabilization time depends on the ambient conditions and the dynamics of weighing pan loading; specified for FAST profile. 1 Barcode scanners, available as weighing instrument accessory, communicate with the instrument via RS232 interface exclusively.

\* Wi-Fi® is a registered trademark of Wi-Fi® Alliance.



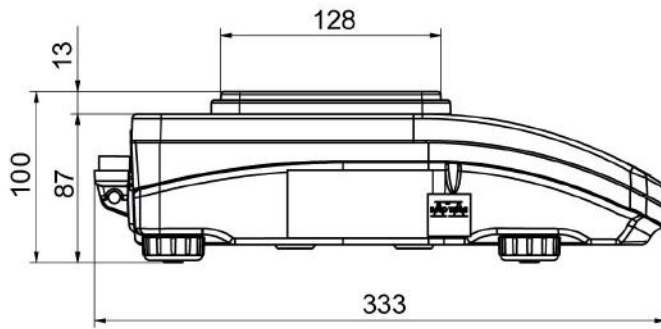
## Accessories

Balance Storage Case	Draft Shield
Barcode scanners	Receipt Printer
Cigarette lighter receptacle power supply cables	RPANEL BOX
USB cable (scale - printer)	Protective cover for balances
Density determination KIT	RS 232, RS 485 cables
Power Adapters	Under-Pan Weighing Rack
Anti-Draft Chamber for Balances with a 128×128 mm Weighing Pan	RS 232 cables (scale - printer)
Antivibration Tables	Under-pan weighing
Displays	

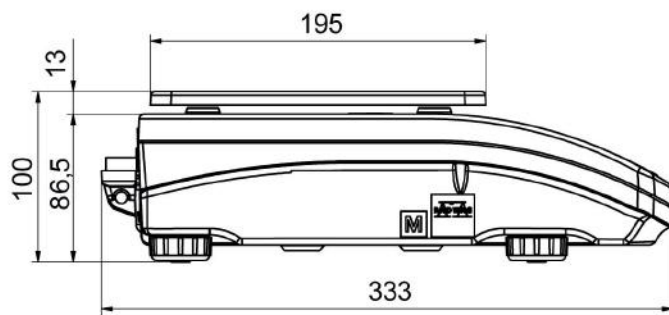
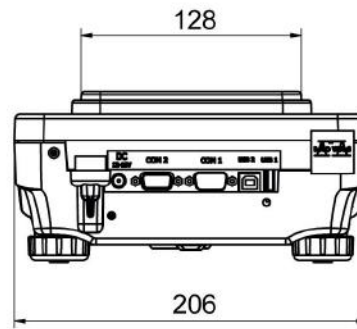
## Software

RAD-KEY	LabVIEW Driver
R Panel	Alibi Reader
R-LAB	RADWAG Development Studio
E2R System	R.Barcode

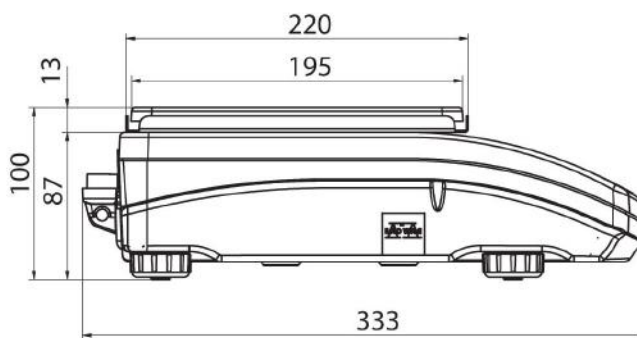
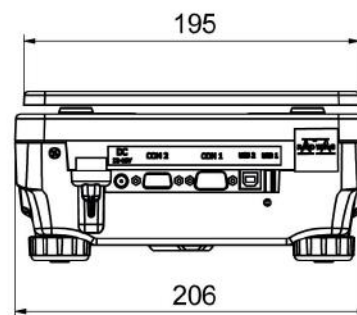
## Device dimensions



PS R, d = 1mg



PS R, d = 10 mg



PS R.M, d = 10 mg

