



More information on the website  
[radwag.com/en/info,w1,WKD](http://radwag.com/en/info,w1,WKD)

# PS 600.R1 Precision Balance



The drawings, photos and graphics used are for illustrative purposes only.

## Functions



Autotest



Dosing



Percent Weighing



Totalizing



Parts counting



Peak hold



Newton unit measurement



Statistics



Checkweighing



GLP Procedures



Animal weighing



Density determination

## Datasheet

| Metrological parameters |          |
|-------------------------|----------|
| Maximum capacity [Max]  | 600 g    |
| Minimum load            | 20 mg    |
| Readability [d]         | 0,001 g  |
| Tare range              | -600 g   |
| Repeatability (Max)     | 0,0015 g |
| Repeatability (5% Max)  | 0,0005 g |
| Linearity               | ±0,002 g |

| Metrological parameters  |   |
|--------------------------|---|
| Stabilization time       | 2 s   |
| Adjustment               | external  |
| Physical parameters      |   |
| Leveling system          | manual  |
| Display                  | LCD (backlit)   |
| Protection class         | IP 43   |
| Delivery components      | Balance, weighing pan, weighing pan shield, grounding bumper ×1, bumper ×3, power supply. |
| Weighing pan dimensions  | 128×128 mm  |
| Packaging dimensions     | 470×380×336 mm  |
| Net weight               | 3,2 kg  |
| Gross weight             | 4,8 kg  |
| Communication interface  |   |
| Communication interface  | 2×RS232 <sup>1</sup> , USB-A, USB-B, Wi-Fi (option)                                       |
| Electrical parameters    |   |
| Power supply             | Adapter: 100 – 240V AC 50/60Hz 0,6A; 12V DC 1,2A<br>Balance: 12 – 15V DC 0,4A max         |
| Power consumption        | 4 W   |
| Environmental conditions |   |
| Operating temperature    | +10 ÷ +40 °C  |

Repeatability is expressed as a standard deviation from 10 weighing cycles. Stabilization time depends on the ambient conditions and the dynamics of weighing pan loading; specified for FAST profile. 1 Barcode scanners, available as weighing instrument accessory, communicate with the instrument via RS232 interface exclusively.

\* Wi-Fi® is a registered trademark of Wi-Fi® Alliance.



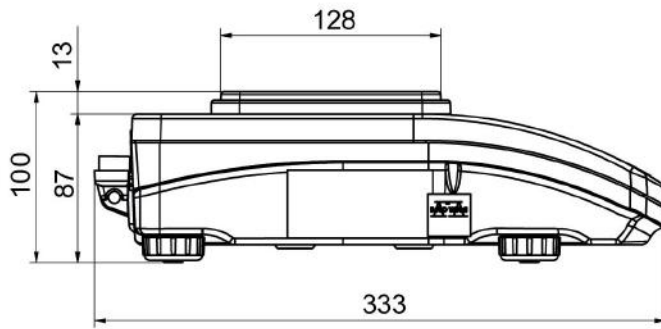
## Accessories

|  |                                 |
|--|---------------------------------|
| Balance Storage Case   | Draft Shield                    |
| Barcode scanners   | Receipt Printer                 |
| Cigarette lighter receptacle power supply cables               | RPANEL BOX                      |
| USB cable (scale - printer)                                    | Protective cover for balances   |
| Density determination KIT                                      | RS 232, RS 485 cables           |
| Power Adapters   | Under-Pan Weighing Rack         |
| Anti-Draft Chamber for Balances with a 128×128 mm Weighing Pan | RS 232 cables (scale - printer) |
| Antivibration Tables   | Under-pan weighing              |
| Displays   |                                 |

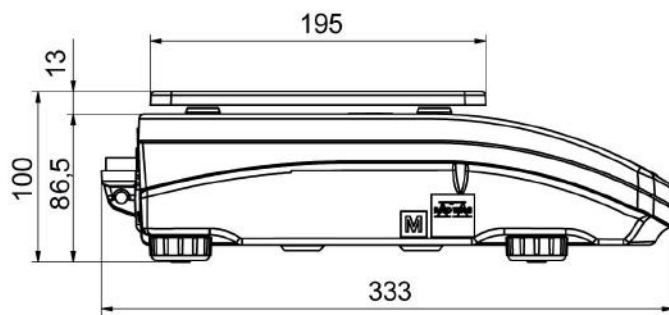
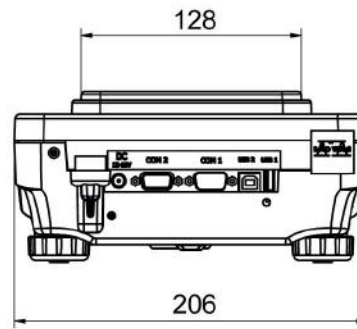
## Software

|            |                           |
|------------|---------------------------|
| RAD-KEY    | LabVIEW Driver            |
| R Panel    | Alibi Reader              |
| R-LAB      | RADWAG Development Studio |
| E2R System | R.Barcode                 |

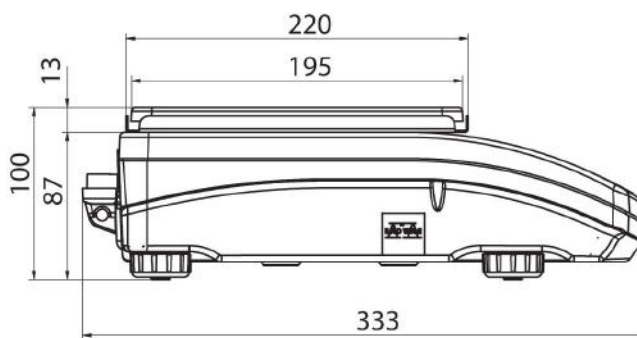
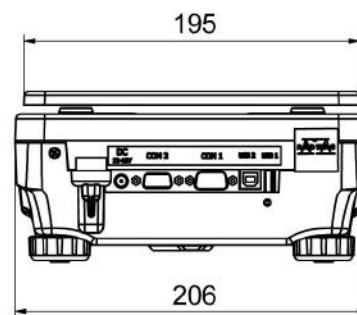
## Device dimensions



PS R, d = 1mg



PS R, d = 10 mg



PS R.M, d = 10 mg

