

OLYMPUS

Biological Microscope

CX43/CX33

CX3 Series

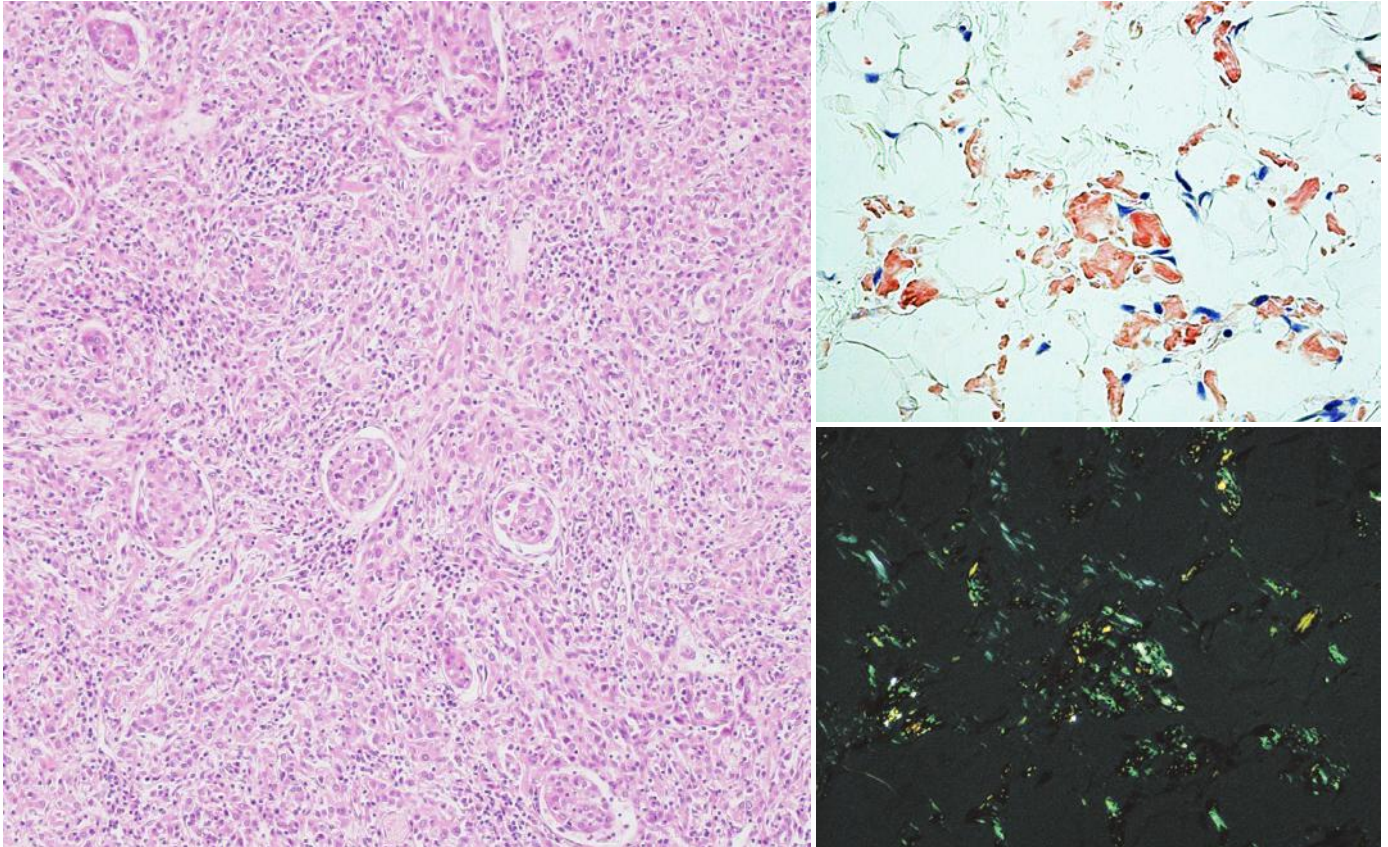
Comfortable, High-Throughput Routine Microscopy

UIS2
World-leading optics



Comfortable for Long Periods of Routine Microscopy

The microscope frame fits comfortably between your hands, and the location of the control knobs help maximize the ergonomics, improving work efficiency. Users can quickly set a specimen with one hand, while adjusting the focus and operating the stage with the other with minimal movement. Both microscopes also feature a camera port for digital imaging.



CX43

Maintain Preferred Observation Conditions with Minimal Adjustments

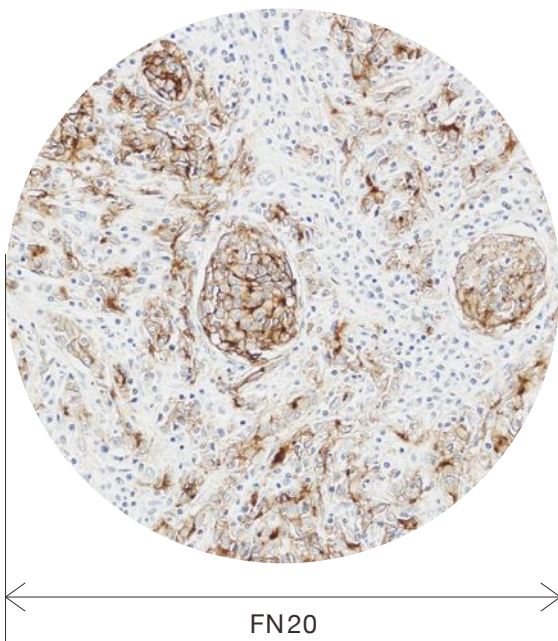
Uniform Illumination with Consistent Color Temperature

The color temperature of the CX LED illumination produces daylight conditions, so specimens can be viewed with their natural colors. The color temperature is consistent at any brightness, so users don't have to spend time making adjustments when they change brightness. The LEDs have a long 60,000-hour lifetime, helping reduce cost, and the brightness level remains stable throughout the LED's life.



Excellent Optical Performance for Flat Images

The microscope employs Plan Achromat objectives, which provide clear images with high image flatness over a wide field of view. This helps users view specimens clearly and evenly during routine microscope observations.



Select and Set Your Contrast Level

Users can preserve their favorite contrast by locking the aperture diaphragm. It stays fixed at the optimally chosen position if it is accidentally touched while changing slides.



Change Magnification without Adjusting the Condenser

Users can change the magnification from 4X to 100X without moving the top lens on the condenser. 2X magnification is also available by simply setting the objective and the condenser turret to the 2X position.



Simple Fluorescence Observation

Fluorescence observation is simple and easy. Plug the compact fluorescent illuminator into the microscope frame for fluorescence observation. Its LED light source is pre-centered, and the transmitted illumination is shuttered by simply setting the condenser turret to the FL position. This reduces background noise in the fluorescence image from incidental light coming from the top lens of the condenser.



Remain Comfortable During Extended Usage

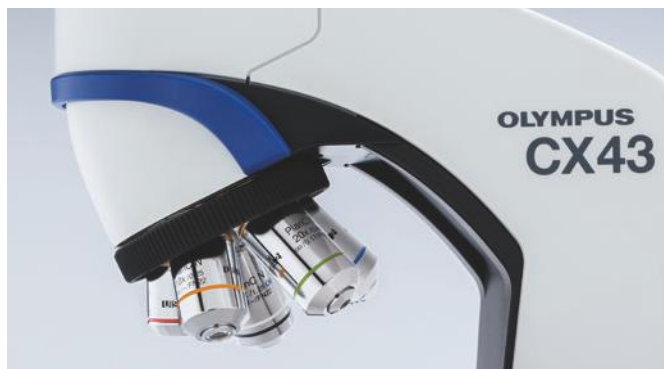
Single-Handed Sample Placement

A specimen can be quickly slid in and out using one hand. The specimen holder opens a little and firmly retains the specimen during operation. The versatile holder accommodates a variety of slide types, including a hemocytometer.



Use Up to Five Objectives

For added flexibility, up to five objectives can be mounted on the revolving nosepiece. In addition to general objectives, users can select a 2X objective for wide area observation or objectives for phase contrast. These objectives with long working distances help keep specimens from getting damaged.



Ergonomically-Positioned Focus Knob

The low-positioned focusing knob enables users to make observations while keeping their hands and forearms resting on the desk, helping provide comfort. The focusing stopper prevents a specimen from accidentally hitting an objective when working under high magnification.

Smooth Magnification Change

The low-positioned revolving nosepiece enables users to quickly change magnifications with minimal arm movement between focusing, greatly improving work efficiency during prolonged use.



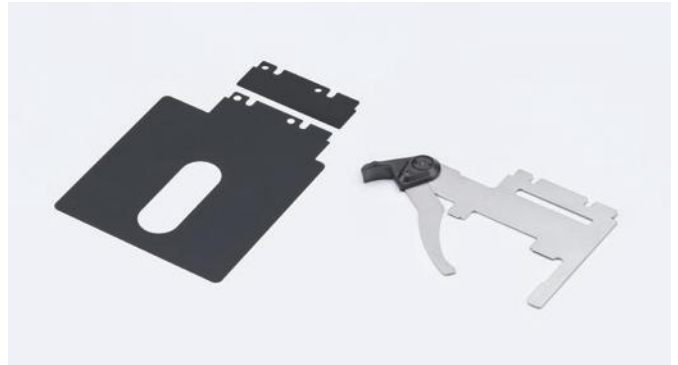
Ergonomic Stage and Eyepiece Position

The low-positioned stage is designed to enhance comfort and reduce fatigue. The stage surface can be widely seen from the eye point position, which enables users to smoothly set and check specimens on the stage. The stage knob can be controlled with just a light touch and can be adjusted at the same time as the focusing knob, since they are located close together.



Specimen Holders that Match Your Observation Style

Stage accessories improve efficiency when users need to observe a large number of specimens. With the specimen holder sheet, a specimen can be freely operated by a finger on the sheet and can be precisely adjusted using the stage knob. The double specimen holder can retain a large specimen or two specimens.



Simplified Fluorescence Observation

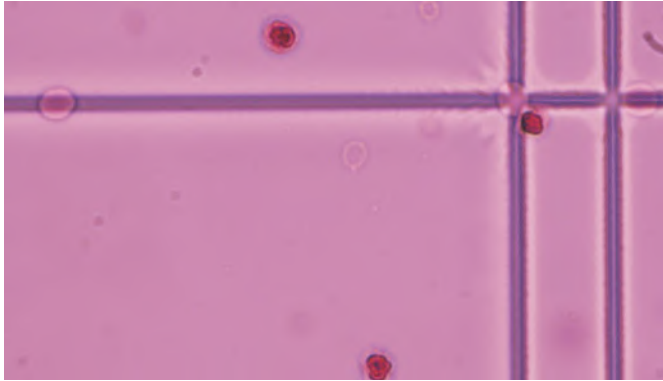
Fluorescence observation can be easily set up on the standard configuration while keeping the eye point the same as other observation methods. Simply plug the compact fluorescent illuminator into the back of the microscope frame.



Versatile Applications

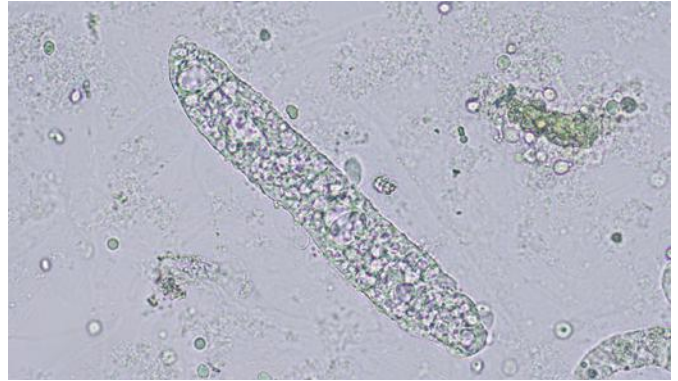
The universal condenser offers a variety of observation methods and future upgradability. In combination with the five-position revolving nosepiece, multiple applications can be covered using the single microscope frame.

Brightfield



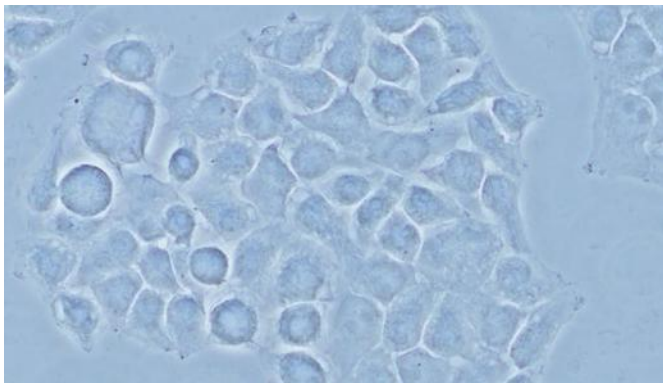
Leukocyte (minimum iris aperture)

Brightfield



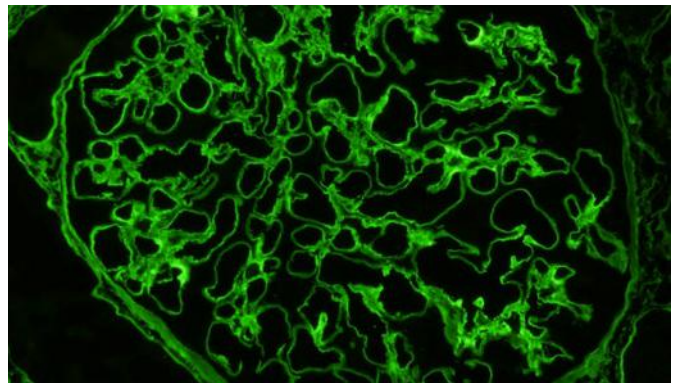
Urinary Cast (minimum iris aperture)

Phase Contrast



HeLa cells

Fluorescence



Renal Glomerulus

Accessories

Simple polarizing intermediate attachment/CX3-KPA

Offers polarized observation of urate crystals and amyloid in combination with a polarizer and analyzer.



Eyepoint adjuster/ U-EPA2

Raise the eyepoint position by 30 mm (1.2 in.) for added comfort.



Arrow pointer/ U-APT

Insert an LED arrow into your image; great for digital imaging and presentations.



Dual observation attachment/U-DO3

Enables dual, simultaneous observation of a single specimen from the same direction with equal magnification and brightness for both operators. A pointer can be used to indicate specific sections of the specimen to simplify the training process and enhance discussion.



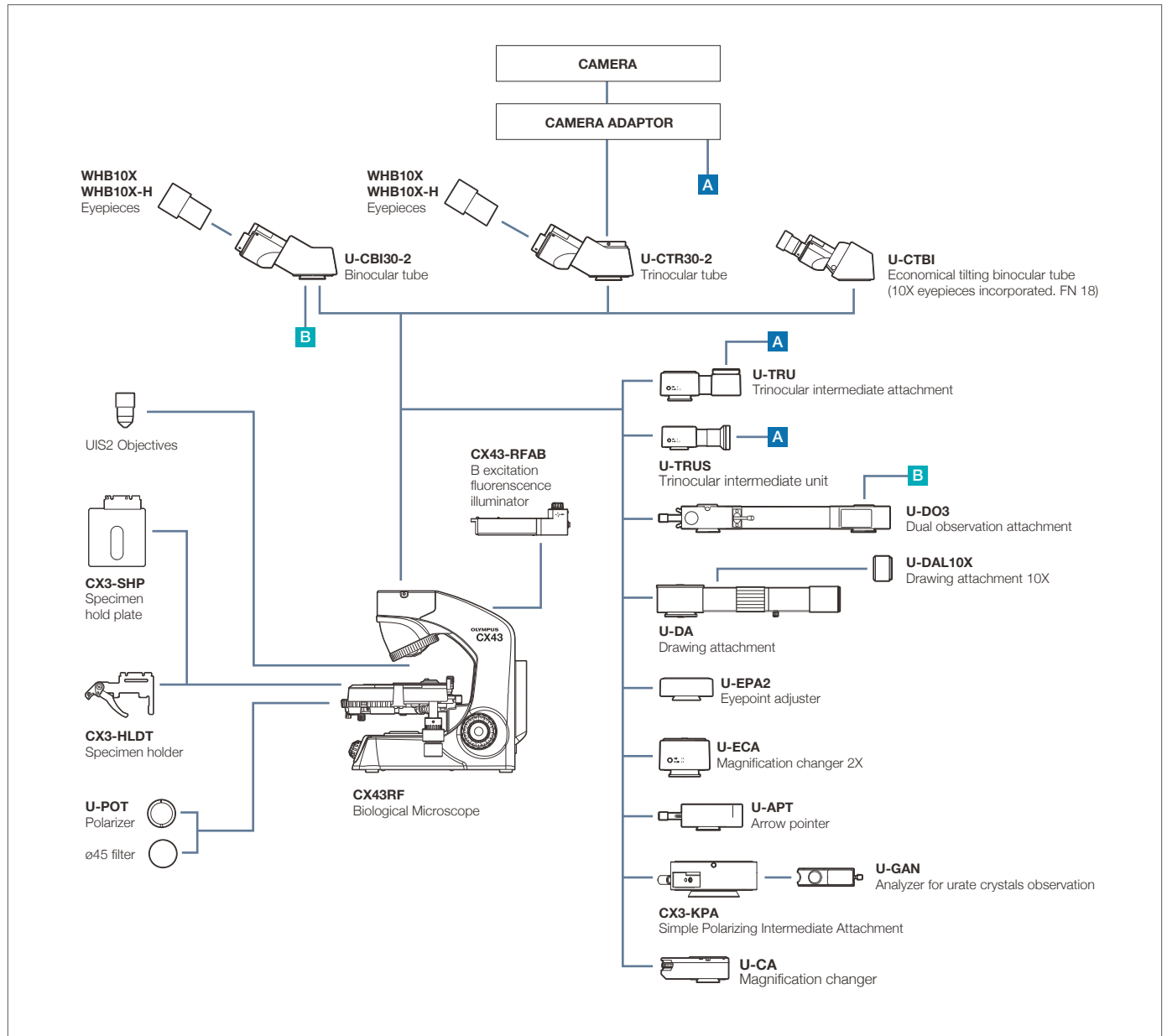
CX33 Microscope

For less demanding requirements using only brightfield and darkfield, the CX33 microscope is a great option. The low-positioned nosepiece and stage, focusing lock, specimen holder, and inward quadruple revolving nosepiece make the it is well-suited for everyday observations in one easy configuration.



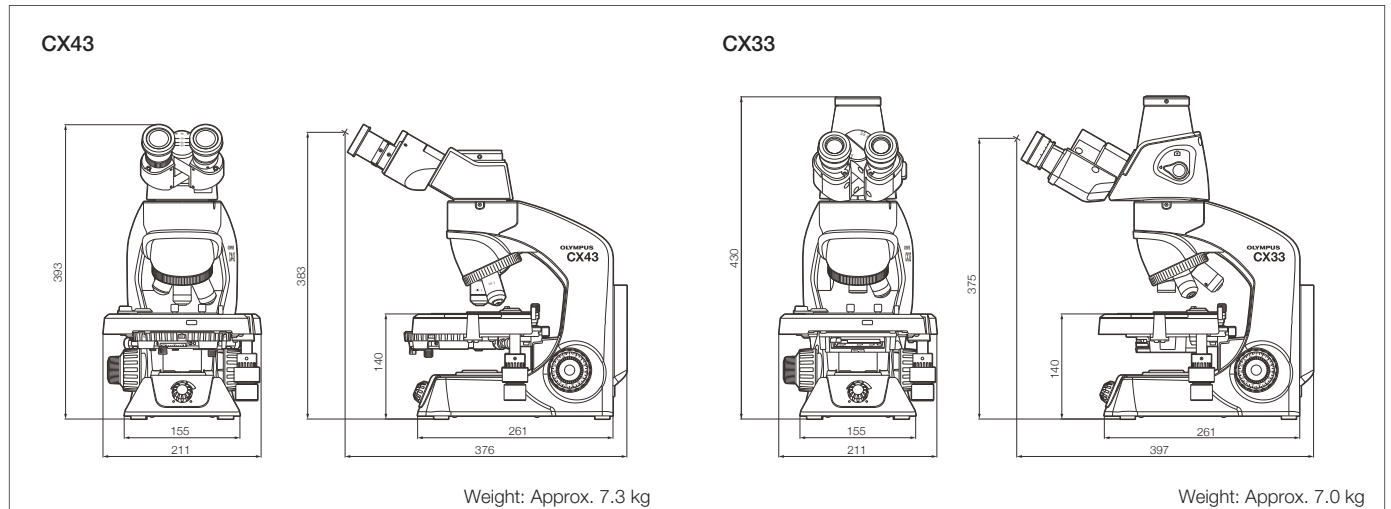
CX33

CX43 System



Dimensions

(Unit: mm)



CX43 Specifications

Optical System		UIS2 (universal infinity-corrected) optical system																																																									
Illumination System		<ul style="list-style-type: none"> · Built-in transmitted illumination system · Köhler illumination (fixed field diaphragm) · LED power consumption 2.4 W (nominal value), precentered 																																																									
Focusing		<ul style="list-style-type: none"> · Stage height movement (coarse movement stroke: 15 mm) · Stroke per rotation for coarse adjustment knob: 36.8 mm, Focusing stopper · Torque adjustment for coarse adjustment knob · Fine focus knob (minimum adjustment gradations: 2.5 μm) 																																																									
Revolving Nosepiece		Fixed quintuple nosepiece with inward tilt																																																									
Stage		<ul style="list-style-type: none"> · Wire movement mechanical fixed stage, (W × D): 211 mm × 154 mm · Traveling range (X × Y): 76 mm × 52 mm · Single specimen holder (optional: double specimen holder, sheet holder) · Specimen position scale · Stage XY movement stopper 																																																									
Observation Tube	Type	Binocular	Trinocular	Tilting binocular																																																							
	Eyepiece	10X Field Number (FN): 20	10X Field Number (FN): 20	10X Field Number (FN): 18																																																							
	Tube Inclination	30°	30°	30°–60°																																																							
	Light Path Selector	None	None (eyepiece/camera port = 50/50 fixed)	None																																																							
Interpupillary Distance Adjusting Range		48–75 mm																																																									
Condenser		<ul style="list-style-type: none"> · Abbe condenser NA 1.25 with oil immersion · Universal condenser with 7 turret positions: BF (4–100X), 2X, DF, Ph1, Ph2, Ph3, FL · Condenser turret lock pin (BF only) · Built-in aperture iris diaphragm · AS lock pin 																																																									
Observation Methods		Brightfield, simple polarization, fluorescence, phase contrast, darkfield																																																									
Objectives		<table border="0"> <tr> <td colspan="6">Plan achromat (UIS2)</td> </tr> <tr> <td>2X</td> <td>NA 0.06</td> <td>W.D. 5.8 mm</td> <td></td> <td></td> <td></td> </tr> <tr> <td>4X</td> <td>NA 0.1</td> <td>W.D. 18.5 mm</td> <td></td> <td></td> <td></td> </tr> <tr> <td>10X</td> <td>NA 0.25</td> <td>W.D. 10.6 mm</td> <td>10XPH</td> <td>NA 0.25</td> <td>W.D. 10.6 mm</td> </tr> <tr> <td>20X</td> <td>NA 0.4</td> <td>W.D. 1.2 mm</td> <td>20XPH</td> <td>NA 0.4</td> <td>W.D. 1.2 mm</td> </tr> <tr> <td>40X</td> <td>NA 0.65</td> <td>W.D. 0.6 mm</td> <td>40XPH</td> <td>NA 0.65</td> <td>W.D. 0.6 mm</td> </tr> <tr> <td>60X</td> <td>NA 0.8</td> <td>W.D. 0.2 mm</td> <td></td> <td></td> <td></td> </tr> <tr> <td>100XO</td> <td>NA 1.25</td> <td>W.D. 0.13 mm</td> <td>100XOPH</td> <td>NA 1.25</td> <td>W.D. 0.15 mm</td> </tr> <tr> <td>100XOI</td> <td>NA 1.25–0.6</td> <td>W.D. 0.13 mm</td> <td></td> <td></td> <td></td> </tr> </table>				Plan achromat (UIS2)						2X	NA 0.06	W.D. 5.8 mm				4X	NA 0.1	W.D. 18.5 mm				10X	NA 0.25	W.D. 10.6 mm	10XPH	NA 0.25	W.D. 10.6 mm	20X	NA 0.4	W.D. 1.2 mm	20XPH	NA 0.4	W.D. 1.2 mm	40X	NA 0.65	W.D. 0.6 mm	40XPH	NA 0.65	W.D. 0.6 mm	60X	NA 0.8	W.D. 0.2 mm				100XO	NA 1.25	W.D. 0.13 mm	100XOPH	NA 1.25	W.D. 0.15 mm	100XOI	NA 1.25–0.6	W.D. 0.13 mm			
Plan achromat (UIS2)																																																											
2X	NA 0.06	W.D. 5.8 mm																																																									
4X	NA 0.1	W.D. 18.5 mm																																																									
10X	NA 0.25	W.D. 10.6 mm	10XPH	NA 0.25	W.D. 10.6 mm																																																						
20X	NA 0.4	W.D. 1.2 mm	20XPH	NA 0.4	W.D. 1.2 mm																																																						
40X	NA 0.65	W.D. 0.6 mm	40XPH	NA 0.65	W.D. 0.6 mm																																																						
60X	NA 0.8	W.D. 0.2 mm																																																									
100XO	NA 1.25	W.D. 0.13 mm	100XOPH	NA 1.25	W.D. 0.15 mm																																																						
100XOI	NA 1.25–0.6	W.D. 0.13 mm																																																									
Fluorescence Light Source		Easily add an LED reflected fluorescence illuminator (peak excitation wavelength 470 nm: B excitation only), precentered																																																									
Rated Voltage/Electric Current		AC 100–240 V 50/60 Hz 0.4 A																																																									

CX33 Specifications

Optical System		Infinity optical system																																							
Illumination System		<ul style="list-style-type: none"> · Built-in transmitted illumination system · Köhler illumination (fixed field diaphragm) · LED power consumption 2.4 W (nominal value), precentered 																																							
Focusing		<ul style="list-style-type: none"> · Stage height movement (coarse movement stroke: 15 mm) · Stroke per rotation for coarse adjustment knob: 36.8 mm, Focusing stopper · Torque adjustment for coarse adjustment knob · Fine focus knob (minimum adjustment gradations: 2.5 μm) 																																							
Revolving Nosepiece		Fixed quadruple nosepiece with inward tilt																																							
Stage		<ul style="list-style-type: none"> · Wire movement mechanical fixed stage, (W × D): 211 mm × 154 mm · Traveling range (X × Y): 76 mm × 52 mm · Single specimen holder (optional: double specimen holder, sheet holder) · Specimen position scale · Stage XY movement stopper 																																							
Observation Tube		<ul style="list-style-type: none"> · 30° inclined trinocular tube · Light path selector: eyepiece/camera port = 100/0 or 0/100 · Interpupillary distance adjusting range: 48–75 mm · Eyepoint adjustment: 375.0–427.9 mm 																																							
Eyepieces		<ul style="list-style-type: none"> · 10X Field Number (FN): 20 · 15X Field Number (FN): 16 (optional) 																																							
Condenser		<ul style="list-style-type: none"> · Abbe condenser NA 1.25 with oil immersion · Built-in aperture iris diaphragm 																																							
Observation Methods		Brightfield, darkfield																																							
Objectives		<table border="0"> <tr> <td colspan="6">Plan achromat</td> </tr> <tr> <td>4X</td> <td>NA 0.1</td> <td>W.D. 27.8 mm</td> <td></td> <td></td> <td></td> </tr> <tr> <td>10X</td> <td>NA 0.25</td> <td>W.D. 8.0 mm</td> <td></td> <td></td> <td></td> </tr> <tr> <td>20X</td> <td>NA 0.4</td> <td>W.D. 2.5 mm (optional)</td> <td></td> <td></td> <td></td> </tr> <tr> <td>40X</td> <td>NA 0.65</td> <td>W.D. 0.6 mm</td> <td></td> <td></td> <td></td> </tr> <tr> <td>100X</td> <td>NA 1.25</td> <td>W.D. 0.13 mm (optional)</td> <td></td> <td></td> <td></td> </tr> </table>				Plan achromat						4X	NA 0.1	W.D. 27.8 mm				10X	NA 0.25	W.D. 8.0 mm				20X	NA 0.4	W.D. 2.5 mm (optional)				40X	NA 0.65	W.D. 0.6 mm				100X	NA 1.25	W.D. 0.13 mm (optional)			
Plan achromat																																									
4X	NA 0.1	W.D. 27.8 mm																																							
10X	NA 0.25	W.D. 8.0 mm																																							
20X	NA 0.4	W.D. 2.5 mm (optional)																																							
40X	NA 0.65	W.D. 0.6 mm																																							
100X	NA 1.25	W.D. 0.13 mm (optional)																																							
Rated Voltage/Electric Current		AC 100–240 V 50/60 Hz 0.4 A																																							

- OLYMPUS CORPORATION is ISO14001 certified.
- OLYMPUS CORPORATION is ISO9001 certified.
- OLYMPUS CORPORATION is ISO13485 certified.

• All company and product names are registered trademarks and/or trademarks of their respective owners.
 • Specifications and appearances are subject to change without any notice or obligation on the part of the manufacturer.

www.olympus-lifescience.com

OLYMPUS

OLYMPUS CORPORATION
 Shinjuku Monolith, 2-3-1 Nishi-Shinjuku, Shinjuku-ku, Tokyo 163-0914, Japan

Printed in Japan N8601725-012020